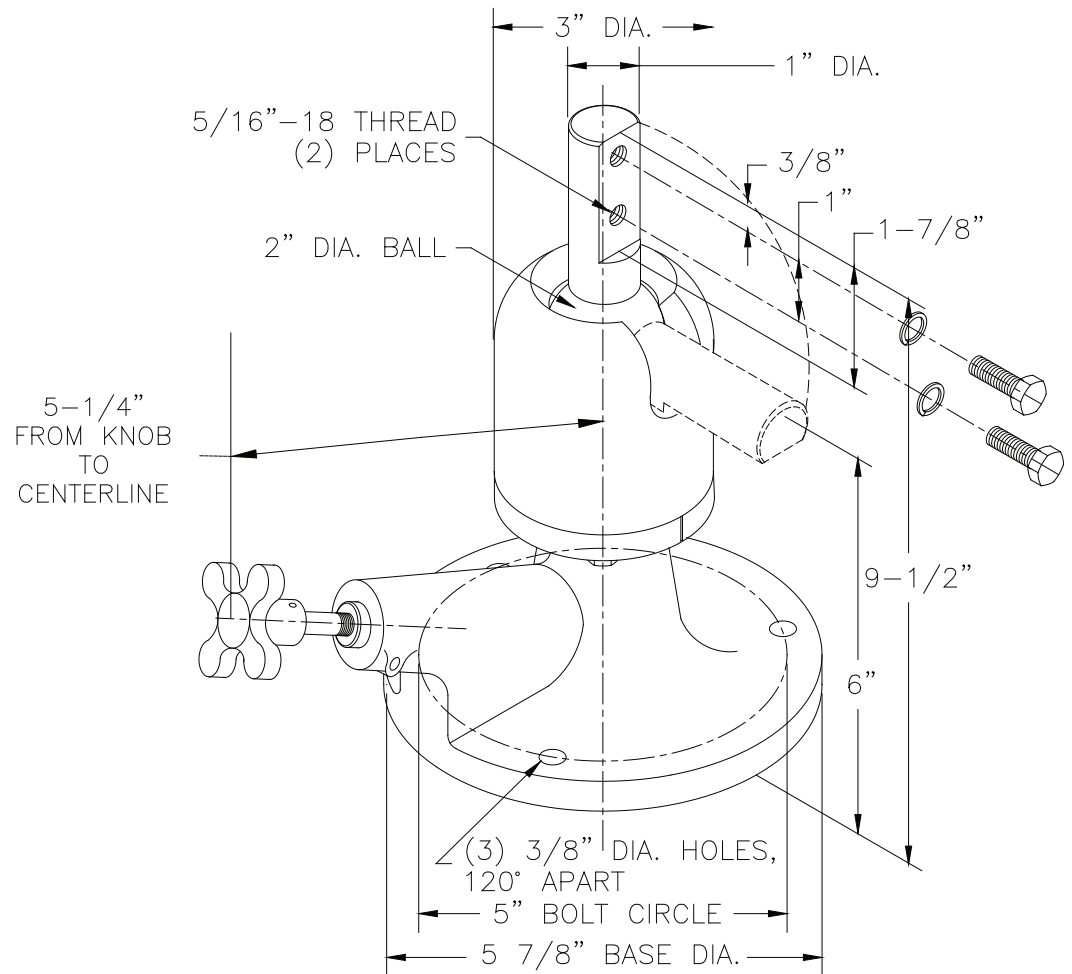
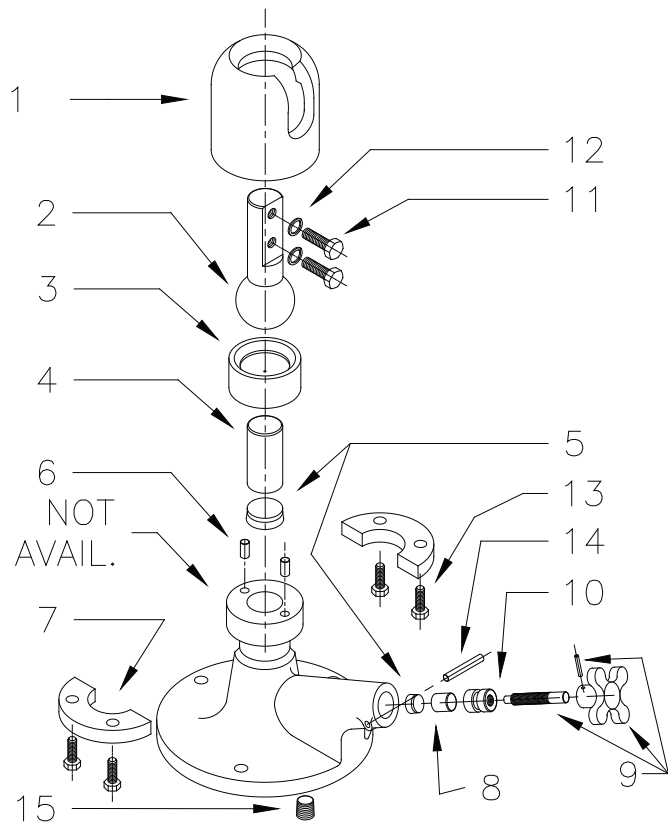


POW-R-ARM WORK POSITIONERS

Hydraulic Model 303

Replacement Parts



WILTON HYDRAULIC MODEL 303

STANDARD HARDWARE ITEMS—PURCHASE LOCALLY

1	2010120	CROWN
2	2010031	SWIVEL BALL
3	2010041	PRESSURE PAD
4	2010130	LARGE PISTON
5	2900600	FLUID SEAL KIT (LARGE & SMALL)
6	2010091	PAD PINS (2)
7	2010020	HALF COLLARS (2)
8	2010161	SMALL PISTON
9	2000010	HANDLE, PRESSURE STUD, PIN ASSY.
10	2010101	PLUG

11	5/16"–18 X 1" LG. HEX.HD.CAPSCREW	(2)
12	5/16" FLAT WASHER	(2)
13	1/4"–20 X 3/4" LG. HEX.HD.CAPSCREW	(4)
14	1/4" DIA. X 1–1/4" LG. STRAIGHT PIN	
15	1/4"–18 N.P.T. SOCKET HEAD PIPE PLUG	